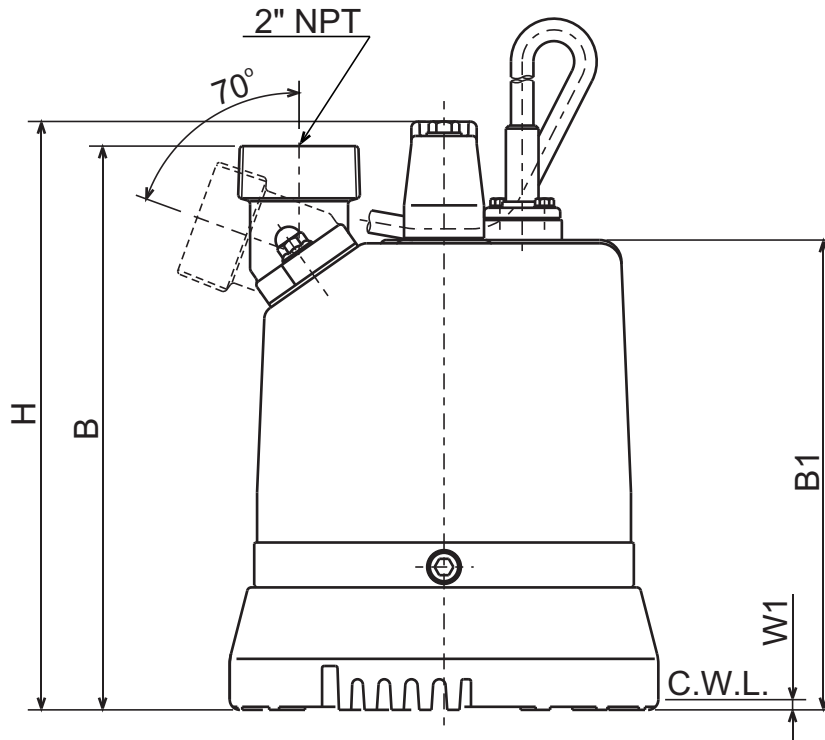
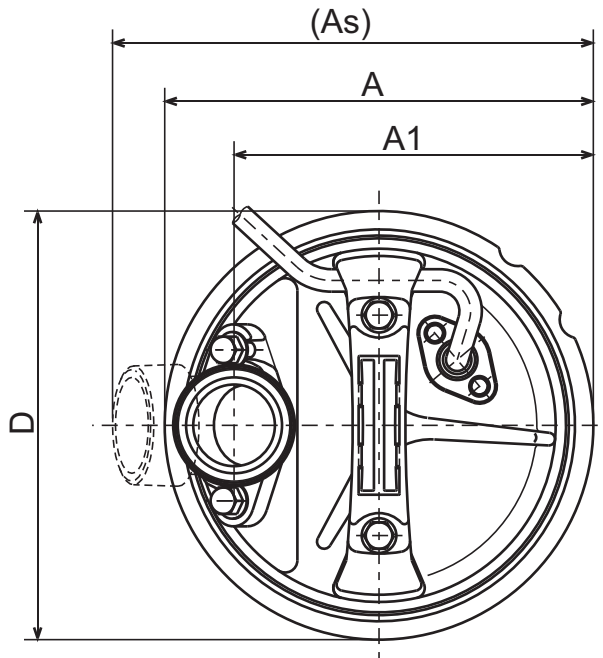




LSR - SERIES
LOW LEVEL - DEWATERING PUMP

DIMENSIONS

LSR2.4S-61



C.W.L. : Continuous running Water Level

DIMENSIONS:USCS (Inch)

Model	HP	NOM. SIZE	Pump & Motor							C.W.L. W1	Wt. (lbs.)
			A	As	A1	B	B1	D	H		
LSR2.4S-61	2/3	2"	8 1/4	9 1/4	6 15/16	10 7/8	9 1/16	8 1/4	11 3/8	0.20	23

DIMENSIONS:METRIC (mm)

Model	kW	NOM. SIZE	Pump & Motor							C.W.L. W1	Wt. (kg)
			A	As	A1	B	B1	D	H		
LSR2.4S-61	0.48	50	210	236	176	276	230	210	288	5	10.5